

CPU QuadCore	
PC2	Xeon X5472 QC 3.00GHz 1600FSB 462465-B21
PC2	Xeon X5472 QC 3.00GHz 1600FSB 448365-B21
PC2	Xeon X5462 QC 2.80GHz 1600FSB 463076-B21
PC2	Xeon X5460 QC 3.16GHz 1333FSB 446085-B21
PC2	Xeon E5430 QC 2.66GHz 1333FSB 446079-B21
PC2	Xeon L5410 QC 2.33GHz 1333FSB 448369-B21
PC2	Xeon E5405 QC 2.00GHz 1333FSB 446077-B21
DualCore	
PC2	Xeon X5272 DC 3.40GHz 1600FSB 448371-B21

Memory	
PC2	8GB (2x4GB) RAM 397416-B21
PC2	4GB (2x2GB) RAM 397411-B21
PC2	2GB (2x1GB) RAM 397411-B21
PC2	TGB (2x1GB) RAM 397409-B21

Removable	
PC2	DVD-ROM 447889-B21
PC2	DVDCD RW 447891-B21

Hard Disk Drive NHP SATA	
PC2	250GB 7.2K SATA Disk 411276-B21
PC2	160GB 7.2K SATA Disk 411275-B21
PC2	80GB 7.2K SATA Disk 383410-B21



Storage Controller		
SCSI Card	RAID Card	FC Card
SC44Ge PCI-E Dual x4 SAS 416096-B21	8-Port Internal SAS RAID 347786-B21	SW FC21425R 4Gb Dual PCI-E A8002A
SW U320e SCSI HBA AH627A	SmartArray P400i256 405132-B21	SW FC21425R 4Gb Dual PCI-E A8003A
	SmartArray P400i256 405132-B21 + BBWC Upgrade 383280-B21	SW FC11425R 4Gb PCI-E AE311A
	SmartArray P400i256 405132-B21 + 512MB BBWC 405148-B21	SW FC21425R 4Gb Dual PCI-E AE312A
	SmartArray P400i512 BBWC 411064-B21	SW FC2143 4Gb PCI-X AD167A
	SmartArray P800i512 BBWC 381513-B21	SW FC2243 4Gb Dual PCI-X AD168A
	SmartArray E500i256 435129-B21	
	SmartArray E500i256 435129-B21 + BBWC Upgrade 383280-B21	
	SmartArray E200i28 BBWC 411908-B21	

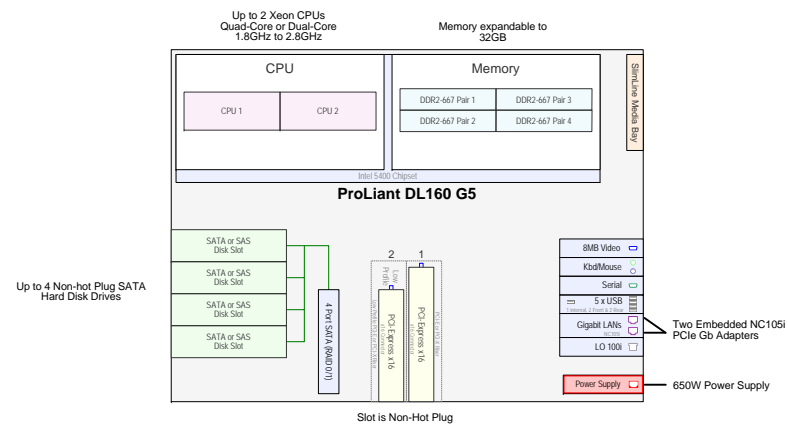
Communication	
HP NC110T PCI-E Gig 434905-B21	
HP NC360T PCI-E Dual Gig 412648-B21	
HP NC364T PCI-E Quad Gig 435508-B21	
HP NC373F PCI-E Gig Multi 394793-B21	
HP NC373T PCI-E Gig Multi 394791-B21	
HP NC380T PCI-E Dual Gig Multi 394795-B21	
HP NC510C PCI-E 10Gig 414129-B21	
HP NC510F PCI-E 10Gig 414126-B21	

Misc. Cards	
NVIDIA Quadro FX3500 PCIe 435681-B21	
NVIDIA Quadro FX1500 PCIe 435703-B21	
HP IB 4X DDR PCI-E Dual 448397-B21	
HP IB 4X DDR PCI-E 448398-B21	
HP IB 4X DDR PCI-E Dual 409376-B21	
Myrinet 2XP 4MB Fibre/PCI-X 373983-B21	

### ProLiant DL160 G5 Server Non-Hot Plug Models

Part Number	Description
445198-xx1	DL160G5 X3.00/1600 QC-12MB (2x6MB) Cache, 1P, 1GB, 160GB
445197-xx1	DL160G5 X2.66/1333 QC-12MB (2x6MB) Cache, 1P, 1GB, 160GB
445196-xx1	DL160G5 X2.00/1333 QC-12MB (2x6MB) Cache, 1P, 1GB, 160GB

Country Code Key	
-001	US
-291	Japan
-371	APD
-421	EURO
-AA1	CN



This Visual Solution Document is deemed to be valid and accurate as of the date shown below.



The information contained herein is subject to change without notice and is provided "as is" without warranty of any kind. Please consult the Product QuickSpecs Documents on www.hp.com for any updates to the product information contained herein after the date shown below.

Build with the latest Logical shapes from the Visio Café - Download the latest HP Intel Stencils to get the shapes used above to create your own customized Visual Solution Documents - Feedback: info@visiocafe.com