

CPU

6Core

- Xeon X5690 6C 4.60GHz 12M 130W 639493-B21
- Xeon X5680 6C 3.33GHz 12M 130W 589727-B21
- Xeon X5675 6C 3.06GHz 12M 95W 637345-B21
- Xeon X5670 6C 2.93GHz 12M 95W 589725-B21
- Xeon X5660 6C 2.80GHz 12M 95W 589723-B21
- Xeon X5650 6C 2.66GHz 12M 95W 589721-B21
- Xeon E5645 6C 2.53GHz 12M 80W 637349-B21
- Xeon E5645 6C 2.40GHz 12M 80W 637351-B21
- Xeon L5640 6C 2.26GHz 12M 60W 589700-B21

QuadCore

- Xeon X5687 4C 3.60GHz 12M 130W 637343-B21
- Xeon X5677 4C 3.46GHz 12M 130W 628650-B21
- Xeon X5672 4C 3.20GHz 12M 130W 637347-B21
- Xeon X5670 4C 2.93GHz 8M 95W 589821-B21
- Xeon X5660 4C 2.80GHz 8M 95W 573893-B21
- Xeon X5550 4C 2.66GHz 8M 95W 491511-B21
- Xeon E5640 4C 2.66GHz 12M 80W 589719-B21
- Xeon E5630 4C 2.53GHz 12M 80W 589713-B21
- Xeon X5630 4C 2.26GHz 4M 80W 641512-B21
- Xeon X5620 4C 2.26GHz 12M 80W 589711-B21
- Xeon X5607 4C 2.26GHz 4M 80W 641512-B21
- Xeon X5606 4C 2.13GHz 4M 80W 637250-B21
- Xeon X5603 4C 1.60GHz 4M 80W 637353-B21
- Xeon E5640 4C 2.53GHz 8M 80W 490611-B21
- Xeon E5630 4C 2.40GHz 8M 80W 573895-B21
- Xeon E5620 4C 2.26GHz 8M 80W 490459-B21
- Xeon L5630 4C 2.13GHz 12M 40W 689998-B21
- Xeon L5520 4C 2.26GHz 8M 80W 491501-B21
- Xeon E5606 4C 2.13GHz 4M 80W 573897-B21
- Xeon E5604 4C 2.00GHz 4M 80W 490457-B21

DualCore

- Xeon E5533 2C 2.00GHz 4M 80W 593859-B21

Memory

RDIMM

- 16GB PC3-9000 2R 62713-B21
- 8GB PC3-9000 4R 62713-B21
- 4GB PC3-9000 8R 62713-B21
- 2GB PC3-9000 16R 62713-B21
- 1GB PC3-9000 32R 62713-B21

UDIMM

- 16GB PC3-9000 2R 62713-B21
- 8GB PC3-9000 4R 62713-B21
- 4GB PC3-9000 8R 62713-B21
- 2GB PC3-9000 16R 62713-B21
- 1GB PC3-9000 32R 62713-B21

Removable

- DVD-ROM 481045-B21
- DVD RW 481047-B21

Pwr Supply

- 500W HE NBP PFC 51975-B21
- DL160 550W PFC 53584-B21
- 750W GE HE PFC 53583-B21
- 800W GE HE PFC 53584-B21
- 400W 1U GE PFC 53583-B21

Hard Drive

HP SATA LFF

- 3TB 3G 7.2K SATA MDL HDD 628059-B21
- 2TB 3G 7.2K SATA MDL HDD 507632-B21
- 1TB 3G 7.2K SATA MDL HDD 454146-B21
- 500GB 3G 7.2K SATA MDL HDD 458928-B21
- 250GB 3G 7.2K SATA ETY HDD 571230-B21
- 160GB 3G 7.2K SATA ETY HDD 458945-B21

HP SAS LFF

- 3TB 6G 7.2K SAS MDL HDD 625031-B21
- 2TB 6G 7.2K SAS DP MDL HDD 507616-B21
- 1TB 6G 7.2K SAS DP MDL HDD 507614-B21
- 600GB 6G 15K SAS DP ENT HDD 516826-B21
- 450GB 6G 15K SAS DP ENT HDD 516816-B21
- 300GB 6G 15K SAS DP ENT HDD 516814-B21

HP SAS SFF

- 1.2TB 3G 7.2K SAS SFF MDL 625038-B21
- 600GB 3G 7.2K SAS SFF MDL 625038-B21
- 300GB 3G 7.2K SAS SFF MDL 625038-B21
- 150GB 3G 7.2K SAS SFF MDL 625038-B21
- 75GB 3G 7.2K SAS SFF MDL 625038-B21

NHP SATA LFF

- 3TB 3G 7.2K SATA MDL HDD 628063-B21
- 2TB 3G 7.2K SATA MDL HDD 507774-B21
- 1TB 3G 7.2K SATA MDL HDD 507772-B21
- 500GB 3G 7.2K SATA MDL HDD 458941-B21
- 250GB 3G 7.2K SATA ETY HDD 571232-B21
- 160GB 3G 7.2K SATA ETY HDD 458941-B21

NHP SAS LFF

- 600GB 3G 15K SAS DP ENT HDD 516830-B21
- 450GB 6G 15K SAS DP ENT HDD 516826-B21
- 300GB 6G 15K SAS DP ENT HDD 516824-B21
- 120GB 3G SATA LFF MDL SSD 570763-B21
- 60GB 3G SATA LFF MDL SSD 570761-B21

I/O Accelerator

- 1.2TB MLC PCIe iDrive Duo 941027-B21
- 640GB MLC PCIe iDrive Duo 940282-B21
- 320GB SLC PCIe iDrive Duo 940281-B21
- 320GB MLC PCIe iDrive 940279-B21
- 160GB SLC PCIe iDrive 940278-B21

Communication

- HP NC112T PCI-E Gig 503746-B21
- HP NC380T PCI-E Dual Gig 412648-B21
- HP NC384T PCI-E Quad Gig 435508-B21
- HP NC385T PCI-E Quad Gig 583722-B21
- HP NC373F PCI-E Gig Multi 394793-B21
- HP NC373T PCI-E Gig Multi 394791-B21
- HP NC375T PCI-E Quad Gig 538696-B21
- HP NC382T PCI-E Dual Gig Multi 458492-B21
- HP NC5225FP PCI-E Dual 10GbE 468332-B21
- HP NC5235FP PCI-E Dual 10GbE 583717-B21
- HP NC5505FP PCI-E Dual 10GbE 581201-B21
- HP NC5525FP PCI-E Dual 10GbE 614203-B21

Security

- TPM 48069-B21

HPC Cards

- HP IB 4X QDR PCI-E G2 Dual 59311-B21
- HP IB 4X QDR CX-2 PCI-E G2 Dual 59292-B21
- HP IB 4X QDR CX-2 PCI-E G2 Dual 59292-B21
- HP 10GbE PCIe G2 Dual Port NIC 51937-B21
- HP IB 4X QDR PCI-E Dual 448397-B21

Storage Controller

RAID Card

- SmartArray P212ZM 462828-B21
- SmartArray P410/256 462834-B21
- SmartArray P410/256 462862-B21
- SmartArray P410/256 462862-B21 + 512MB FBWC 534916-B21
- SmartArray P410/256 462862-B21 + 1GB FBWC 534562-B21
- SmartArray P410/512 BBWC 462864-B21
- SmartArray P410/1G FBWC 572532-B21
- SmartArray P411/256 462830-B21
- SmartArray P411/256 462830-B21 + 512MB FBWC 534916-B21
- SmartArray P411/256 462830-B21 + 1GB FBWC 534562-B21
- SmartArray P411/512 BBWC 462832-B21
- SmartArray P411/512 FBWC 578229-B21
- SmartArray P411/1G FBWC 572531-B21
- SmartArray P812/1G FBWC 487294-B21

FC Card

- SW 818 8Gb Single Port PCIe AP769A
- SW 828 8Gb Dual Port PCIe AP770A
- SW 418 4Gb Single Port PCIe AP716A
- SW 428 4Gb Dual Port PCIe AP716A
- SW 81E 8Gb PCIe AJ762A
- SW 82E 8Gb Dual PCIe AJ763A
- SW FC2142SR 4Gb PCIe A8002A
- SW FC2242SR 4Gb Dual PCIe A8003A
- SW 810 8Gb PCIe AK344A
- SW 82Q 8Gb Dual PCIe AJ764A
- SW FC1142SR 4Gb PCIe AE311A
- SW FC1242SR 4Gb Dual PCIe AE312A
- SW CN100E Dual Port PCIe AH520A
- SW CN100Q Dual Port PCIe B5696A

SCSI Card

- SC08Ge PCI-E Dual MSA 488765-B21
- SC08e 6Gb PCI-E SAS HBA 614888-B21
- SW U320e SCSI HBA AH627A

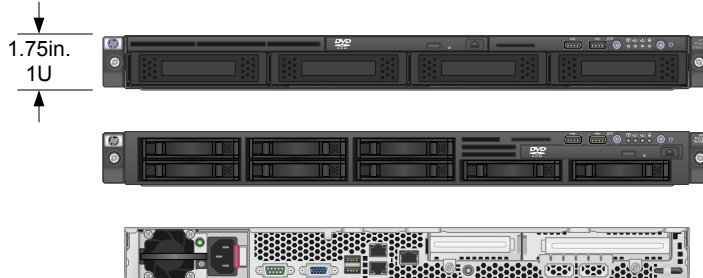
ProLiant DL160 G6 Server Hot Plug SATA/SAS Models

Part Number Description

- 590159-xx1 DL160G6 X2.13/1066 QC-12MB Cache, 1P, 4GB RDIMM, 4LFF, B110i RAID
- 590160-xx1 DL160G6 X2.13/800 QC-4MB Cache, 1P, 4GB RDIMM, 4LFF, B110i RAID
- 590161-xx1 DL160G6 X2.40/1066 QC-12MB Cache, 1P, 8GB RDIMM, 4LFF, P410 RAID
- 590162-xx1 DL160G6 X2.66/1333 GC-12MB Cache, 2P, 24GB RDIMM, 8SFF, P410/256/BBWC
- 637235-xx1 DL160G6 X2.13/800 QC-4MB Cache, 1P, 4GB RDIMM, 4LFF, B110i RAID

Country Code Key

-001	US
-201	Brazil
	(490442-xx1 only)
-291	Japan
-371	APD
-421	EURO
-AA1	CN

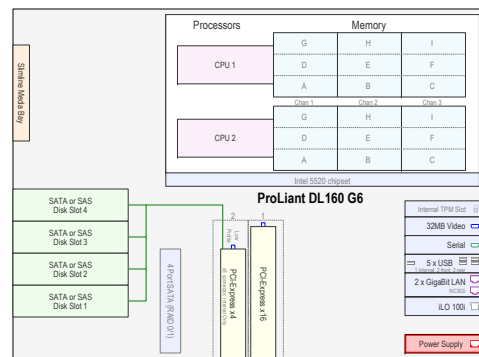


1.75in.
1U

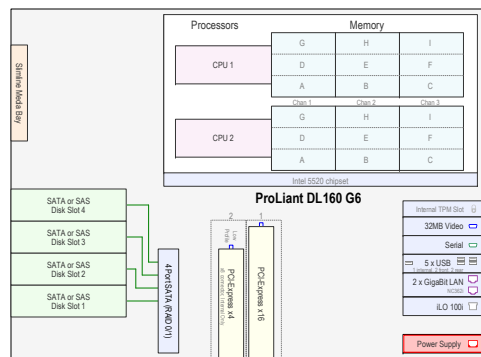
Up to 2 6-Core Quad-Core or Dual-Core Xeon CPUs 1.60GHz to 3.00GHz

Memory expandable to 288GB w/ RDIMM to 48GB w/ UDIMM

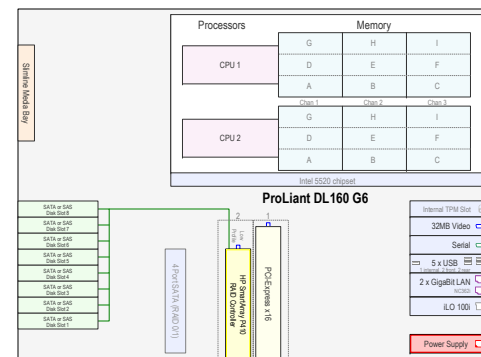
500W HE PFC Power Supply



Up to 4 Hot Plug LFF SATA/SAS Storage Drives



Up to 4 Non-Hot Plug LFF SATA/SAS Storage Drives



Up to 8 Hot Plug SFF SAS/SATA Storage Drives

This Visual Solution Document is deemed to be valid and accurate as of the date shown below.

The information contained herein is subject to change without notice and is provided "as is" without warranty of any kind. Please consult the Product QuickSpecs Documents on www.hp.com for any updates to the product information contained herein after the date shown below.



Built with the latest Logical shapes from the Visio Café - Download the latest HP Intel Stencils to get the shapes used above to create your own customized Visual Solution Documents - Feedback: info@visiocafe.com