

**CPU QuadCore**

Opteron 2356 QC  
2.3GHz 445981-B21

Opteron 2353 QC  
2.1GHz 445971-B21

**Memory**

PC2-5300 FBD  
DDR2-667 w/ECC

8GB (2x4GB) DR RAM  
40854-B21

4GB (2x2GB) DR RAM  
40853-B21

2GB (2x1GB) RAM  
40851-B21

1GB (2x0.5GB) RAM  
40850-B21

**Storage Controller**

SCSI Card	RAID Card	FC Card
SC44Ge PCI-E Dual x4 SAS 416096-B21	8-Port Internal SAS RAID 347786-B21	SW FC21425R 4Gb PCI-E A8002A
SC11Xe 64/133 Single U320 412911-B21	SmartArray P400/256 405132-B21	SW FC22425R 4Gb Dual PCI-E A8003A
SW U320e SCSI HBA AH427A	SmartArray P400/512 BBWC 411064-B21	SW FC11425R 4Gb PCI-E AE311A
	SmartArray E500/256 435129-B21	SW FC12425R 4Gb Dual PCI-E AE312A
	SmartArray E200/128 BBWC 411508-B21	SW FC2143 4Gb PCI-X AD167A

**ProLiant DL165 G5 Server Hot Plug Models**

Part Number	Description
445164-xx1	DL165G5 O2.1GHz QC-2MB L3 Cache, 1P, 2GB

**Country Code Key**

-001	US
-201	Brazil
-291	Japan
-371	APD
-421	EURO
-AA1	CN

**Removable**

DVD-ROM 447889-B21

DVD/CD RW 447891-B21

All PCI-X Cards require this Riser

PCI-X 13364

For HTX assembly only

HTX 44411-021

**Hard Disk Drive**

HP SATA	HP SAS
750GB 7.2K SATA Disk 432341-B21	300GB 15K SAS Disk DP 416127-B21
500GB 7.2K SATA Disk 395473-B21	300GB 15K SAS Disk SP 431944-B21
250GB 7.2K SATA Disk 349239-B21	146GB 15K SAS Disk DP 384854-B21
146GB 7.2K SATA Disk 349238-B21	146GB 15K SAS Disk SP 375872-B21
	72GB 15K SAS Disk DP 384852-B21
	72GB 15K SAS Disk SP 375870-B21
	36GB 15K SAS Disk SP 375868-B21

**Communication**

HP NC110T PCI-E Gig 434905-B21

HP NC360T PCI-E Dual Gig  
412648-B21

HP NC364T PCI-E Quad Gig  
435508-B21

HP NC373F PCI-E Gig Multi  
394793-B21

HP NC373T PCI-E Gig Multi  
394791-B21

HP NC380T PCI-E Dual Gig Multi  
394795-B21

HP NC510C PCI-E 10Gig 414129-B21

HP NC510F PCI-E 10Gig 414126-B21

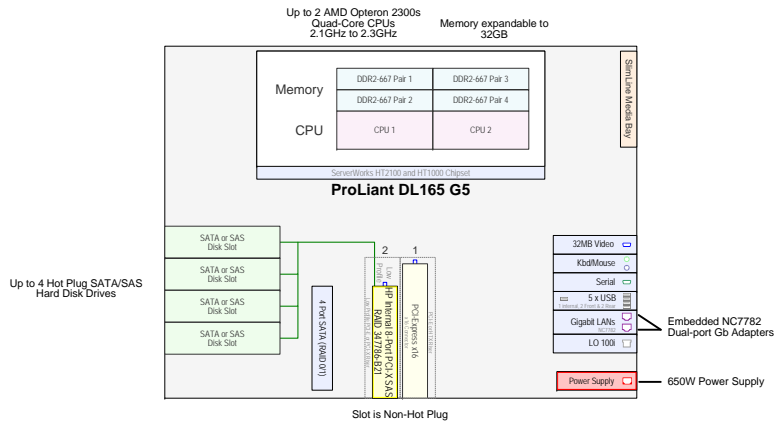
**Misc. Cards**

NVIDIA Quadro FX3500 PCIe  
435681-B21

NVIDIA Quadro FX1500 PCIe  
435703-B21

HP IB 4X DDR PCI-E Dual 448397-B21

HP IB 4X DDR PCI-E 448398-B21



This Visual Solution Document is deemed to be valid and accurate as of the date shown below.

The information contained herein is subject to change without notice and is provided "as is" without warranty of any kind. Please consult the Product QuickSpecs Documents on www.hp.com for any updates to the product information contained herein after the date shown below.

