

CPU QuadCore	
Q	Xeon E5440 QC 2.83GHz 1333F/SB 466106-B21
Q	Xeon E5430 QC 2.66GHz 1333F/SB 458784-B21
Q	Xeon E5420 QC 2.50GHz 1333F/SB 458785-B21
Q	Xeon E5405 QC 2.00GHz 1333F/SB 458786-B21
DualCore	
D	Xeon E5205 OC 1.86GHz 1066F/SB 458787-B21

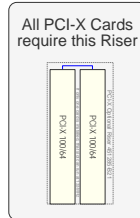
Memory	
M	PC2-5300 FBD DDR2-667 w/ECC
M	8GB (2x4GB) RAM 40854-B21
M	4GB (2x2GB) RAM 40853-B21
M	4GB (2x2GB) RAM LP 41349-B21
M	2GB (2x1GB) RAM 40851-B21
M	1GB (2x512MB) RAM 40850-B21
M	1GB (1x1GB) RAM 40849-B21

Storage Controller		
SCSI Card	RAID Card	FC Card
SC44Ge PCI-E Dual x4 SAS 416096-B21	SmartArray E200128 BBWC 411508-B21	SW FC1143 4Gb PCI-X AB429A
SC11Ge 64/133 Single U320 412911-B21	SmartArray E500256 435129-B21	SW FC1243 4Gb Dual PCI-X AE369A
	SmartArray E500256 435129-B21 + BBWC Upgrade 383285-B21	SW FC2142SR 4Gb PCI-E A8002A
	SmartArray P400256 405132-B21	SW FC2242SR 4Gb Dual PCI-E A8003A
	SmartArray P400256 405132-B21 + BBWC Upgrade 383289-B21	SW FC1142SR 4Gb PCI-E AE311A
	SmartArray P400256 405132-B21 + 512MB BBWC 405148-B21	SW FC1242SR 4Gb Dual PCI-E AE312A
	SmartArray P400512 BBWC 411064-B21	SW FC2143 4Gb PCI-X AD167A
	SmartArray P800512 BBWC 381513-B21	SW FC2243 4Gb Dual PCI-X AD168A

ProLiant DL180 G5 Server Hot Plug Models	
Part Number	Description
<b>12-Disk Models</b>	
456830-xx1	DL180G5 X2.50/1333 QC-12MB (2x6MB) Cache, 1P, 1GB
456831-xx1	DL180G5 X2.00/1333 QC-12MB (2x6MB) Cache, 1P, 1GB

Country Code	Key
-001	US
-201	Brazil
-291	Japan
-371	APD
-421	EURO
-AA1	CN

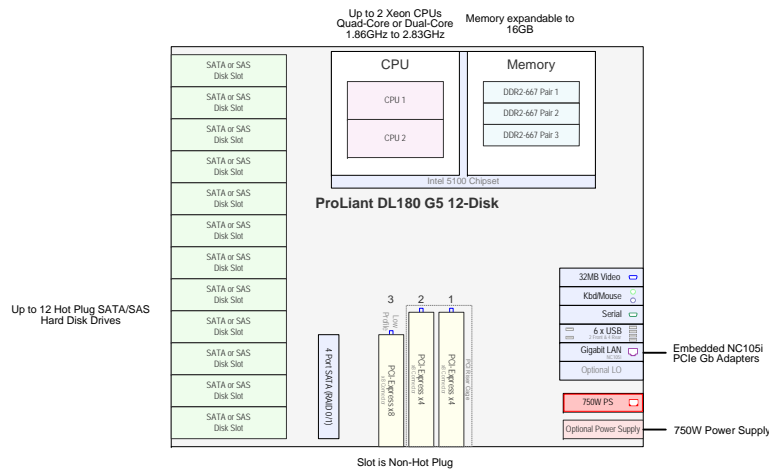
Hard Disk Drive	
HP SATA	HP SAS
750GB 7.2K SATA Disk 432341-B21	300GB 15K SAS Disk DP 416127-B21
500GB 7.2K SATA Disk 395473-B21	300GB 15K SAS Disk SP 431944-B21
250GB 7.2K SATA Disk 349239-B21	146GB 15K SAS Disk DP 384854-B21
160GB 7.2K SATA Disk 349238-B21	146GB 15K SAS Disk SP 375872-B21
80GB 7.2K SATA Disk 349237-B21	72GB 15K SAS Disk DP 384852-B21
	72GB 15K SAS Disk SP 375870-B21



Misc. Cards
LO 100c

Redundancy
750W PS 451326-B21
1200W PS 432072-B21

Communication
HP NC110T PCI-E Gig 434905-B21
HP NC360T PCI-E Dual Gig 412646-B21
HP NC384T PCI-E Quad Gig 435508-B21
HP NC373F PCI-E Gig Multi 394793-B21
HP NC373T PCI-E Gig Multi 394791-B21
HP NC380T PCI-E Dual Gig Multi 394795-B21
HP NC510C PCI-E 10Gig 414129- B21
HP NC510F PCI-E 10Gig 414126- B21



This Visual Solution Document is deemed to be valid and accurate as of the date shown below.

The information contained herein is subject to change without notice and is provided "as is" without warranty of any kind. Please consult the Product QuickSpecs Documents on [www.hp.com](http://www.hp.com) for any updates to the product information contained herein after the date shown below.



Build with the latest Logical shapes from the Visio Café - Download the latest HP Intel Stencils to get the shapes used above to create your own customized Visual Solution Documents - Feedback: [info@visiocafe.com](mailto:info@visiocafe.com)