

**CPU**

- 6Core**
- Xeon X5570 6C 2.93GHz 12M 95W 590619-B21
  - Xeon X5690 6C 2.80GHz 12M 95W 590617-B21
  - Xeon X5650 6C 2.80GHz 12M 95W 590615-B21
  - Xeon L5640 6C 2.26GHz 12M 60W 590607-B21

**QuadCore**

- Xeon E5540 QC 2.53GHz 12MB 80W 590613-B21
- Xeon E5520 QC 2.40GHz 12MB 80W 590609-B21
- Xeon L5630 QC 2.13GHz 12MB 40W 590605-B21

**DualCore**

- Xeon E5540 QC 2.53GHz 8MB 80W 590613-B21
- Xeon E5520 QC 2.26GHz 8MB 80W 590612-B21
- Xeon L5520 QC 2.26GHz 8MB 60W 590604-B21
- Xeon E5506 QC 2.13GHz 4MB 80W 573609-B21
- Xeon E5504 QC 2.00GHz 4MB 80W 590341-B21

**Memory**

- RDIMM**
- 16GB PC3-9000R 4R (REMI) 590668-B21
  - 8GB PC3-9000R 2R (REMI) 590633-B21
  - 4GB PC3-9000R 2R (REMI) 590668-B21
  - 4GB PC3-9000R 1R (REMI) 590639-B21
  - 4GB PC3-9000R 4R (REMI) 590668-B21
  - 2GB PC3-9000R 2R (REMI) 590633-B21
  - 2GB PC3-9000R 1R (REMI) 590639-B21
- UDIMM**
- 4GB PC3-9000R 2R (UDIMM) 590672-B21
  - 2GB PC3-9000R 2R (UDIMM) 590633-B21
  - 2GB PC3-9000R 1R (UDIMM) 590639-B21

**Communication**

- HP NC112T PCIe-Gig 503746-B21
- HP NC360T PCIe Dual Gig 412648-B21
- HP NC384T PCIe Quad Gig 435508-B21
- HP NC373F PCIe Gig Multi 394793-B21
- HP NC373T PCIe-Gig Multi 394791-B21
- HP NC382T PCIe Dual Gig Multi 458492-B21
- HP NC522SFP PCIe Dual 10GbE 468332-B21
- HP NC550SFP PCIe Dual 10GbE 581201-B21

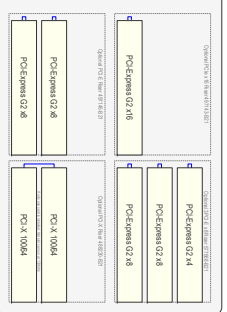
**Removable**

- SHR SATA DVD-ROM 481041-B21
- SHR SATA DVD-RW 481043-B21

**Pwr Supply**

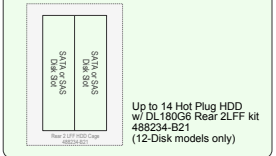
- 460W CS HE Gold PS 30306-B21
- 750W CS HE Gold PS 51297-B21

**Optional PCI Riser**



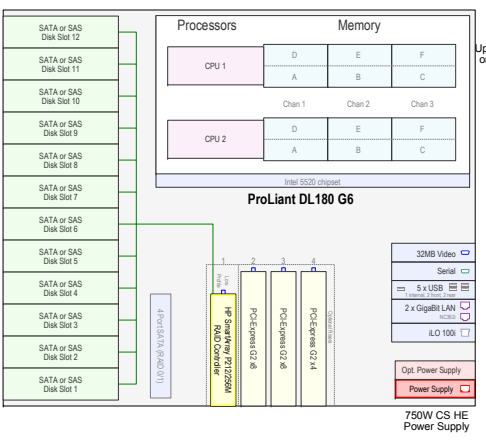
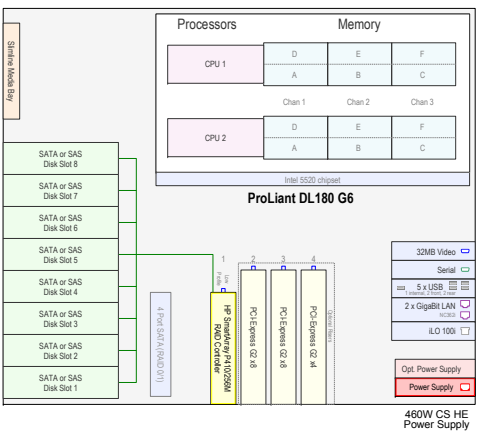
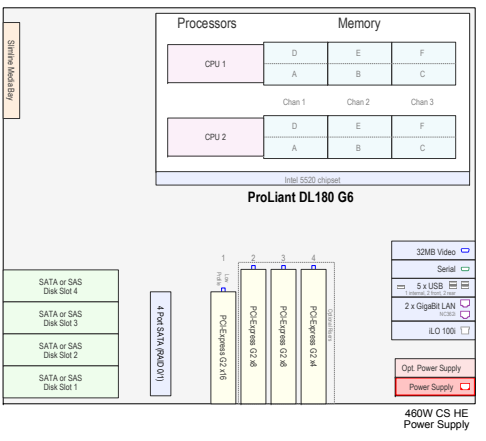
**Hard Drive**

- HP SATA**
- 2TB 3G 7.2K SATA MDL HDD 507632-B21
  - 1TB 3G 7.2K SATA MDL HDD 454146-B21
  - 750GB 3G 7.2K SATA MDL HDD 468930-B21
  - 500GB 3G 7.2K SATA MDL HDD 458926-B21
  - 250GB 3G 7.2K SATA MDL HDD 468926-B21
  - 250GB 3G 7.2K SATA ETY HDD 517230-B21
  - 160GB 3G 7.2K SATA ETY HDD 468945-B21
  - 60GB 3G SATA LFF MDL SSD 570761-B21
- HP SAS**
- 2TB 6G 7.2K SAS DP MDL HDD 507616-B21
  - 1TB 6G 7.2K SAS DP MDL HDD 507614-B21
  - 1TB 3G 7.2K SAS DP MDL HDD 461137-B21
  - 750GB 3G 7.2K SAS DP MDL HDD 461137-B21
  - 500GB 3G 7.2K SAS DP MDL HDD 461135-B21
  - 600GB 6G 15K SAS DP ENT HDD 516816-B21
  - 450GB 3G 15K SAS DP ENT HDD 454232-B21
  - 300GB 6G 15K SAS DP ENT HDD 516814-B21
  - 300GB 3G 15K SAS DP ENT HDD 418747-B21
  - 146GB 3G 15K SAS DP ENT HDD 384854-B21
- HP SATA SSD**
- 120GB 3G SATA LFF MDL SSD 570763-B21
  - 60GB 3G SATA LFF MDL SSD 570761-B21



**Storage Controller**

- RAID Card**
- SmartArray P212ZM 462828-B21
  - SmartArray P212ZM 462828-B21 + 250MB 462969-B21
  - SA P212ZM 462828-B21 + 250MB 462969-B21 + BBWC 462969-B21
  - SmartArray P212Z56 462834-B21
  - SmartArray P212Z56 462834-B21 + BBWC 462969-B21
  - SmartArray P410Z56 462862-B21
  - SmartArray P410Z56 462862-B21 + BBWC 462969-B21
  - SmartArray P410Z56 462862-B21 + 512MB BBWC 462969-B21
  - SmartArray P410Z56 462862-B21 + 1GB FBWC 534562-B21
  - SmartArray P410Z56 462862-B21 + 512MB FBWC 534562-B21
  - SmartArray P410Z56 462862-B21 + 1GB FBWC 534562-B21
  - SmartArray P411Z56 462830-B21
  - SmartArray P411Z56 462830-B21 + BBWC 462969-B21
  - SmartArray P411Z56 462830-B21 + 512MB BBWC 462969-B21
  - SmartArray P411Z56 462830-B21 + 1GB FBWC 534562-B21
  - SmartArray P411Z56 462830-B21 + 512MB FBWC 534562-B21
  - SmartArray P8121G FBWC 467204-B21
- FC Card**
- SW 81B 8Gb Single Port PCIe APT769A
  - SW 82B 8Gb Dual Port PCIe APT770A
  - SW 41B 4Gb Single Port PCIe APT757A
  - SW 42B 4Gb Dual Port PCIe APT762A
  - SW 81E 8Gb PCIe AJT62A
  - SW 82E 8Gb Dual PCIe AJT63A
  - SW FC2142SR 4Gb PCIe A8002A
  - SW FC2242SR 4Gb Dual PCIe A8003A
  - SW 81Q 8Gb PCIe AK344A
  - SW 82Q 8Gb Dual PCIe AJT64A
  - SW FC1142SR 4Gb PCIe AE311A
  - SW FC1242SR 4Gb Dual PCIe AE312A
  - SW CN1000E Dual Port PCIe AMS09A
- SCSI Card**
- SC08G6 PCIe Dual MSA 488765-B21
  - SC11Xe 64/133 Single U320 412911-B21
  - SW U320e SCSI HBA AH627A



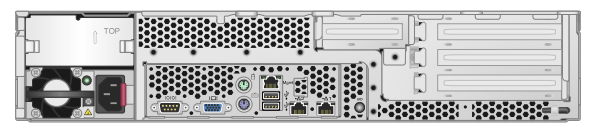
**ProLiant DL180 G6 Server LFF Models**

Part Number	Description
<b>4-Drive SATA Models</b>	
487506-xx1	DL180G6 X2.26/1066 QC-8MB Cache, 1P, 4GB, 160GB HP, SATA RAID, 460W
590637-xx1	DL180G6 X2.13/800 QC-4MB Cache, 1P, 4GB, 160GB HP, SATA RAID, 460W
487502-xx1	DL180G6 X2.00/800 QC-4MB Cache, 1P, 4GB, 160GB HP, SATA RAID, 460W
<b>8-Drive SATA Models</b>	
590638-xx1	DL180G6 X2.40/1066 QC-12MB Cache, 1P, 8GB, P410/256 BBWC RAID, 460W
487503-xx1	DL180G6 X2.26/1066 QC-8MB Cache, 1P, 6GB, P410/256 RAID, 460W
<b>12-Drive SATA Models</b>	
590639-xx1	DL180G6 X2.40/1066 QC-12MB Cache, 1P, 8GB, P212/256 BBWC RAID, 750W
487507-xx1	DL180G6 X2.53/1066 QC-8MB Cache, 1P, 12GB, P212/256 RAID, 750W
487508-xx1	DL180G6 X2.26/1066 QC-8MB Cache, 1P, 6GB, P212/256 RAID, 750W

**Country Code Key**

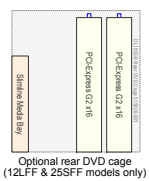
-001	US
-291	Japan
-371	APD
-421	EURO
-AA1	PRC

3.45in  
2U



Up to 2 6-Core, Quad-Core or Dual-Core Xeon CPUs 2.0GHz to 2.93GHz

Memory expandable to 192GB w/ RDIMM to 48GB w/ UDIMM



This Visual Solution Document is deemed to be valid and accurate as of the date shown below.



The information contained herein is subject to change without notice and is provided "as is" without warranty of any kind. Please consult the Product QuickSpecs Documents on www.hp.com for any updates to the product information contained herein after the date shown below.

Build with the latest Logical shapes from the Visio Café - Download the latest HP Intel Stencils to get the shapes used above to create your own customized Visual Solution Documents - Feedback: info@visiocafe.com