

CPU
QuadCore

Xeon X3220 QC
2.4GHz 450141-L21

Xeon X3210 QC
2.13GHz 455031-L21

DualCore

Xeon E3110 DC
3.0GHz 463436-L21

Xeon 3075 DC
2.66GHz 450127-L21

Xeon 3065 DC
2.33GHz 450143-L21

Core 2 E4600 DC
2.4GHz 482110-L21

Pentium E2160 DC
1.8GHz 455035-L21

SingleCore

Celeron 420 SC
1.6GHz 450125-L21

Memory
PC2-6400 DDR2-800
w/UFID ECC

2GB RAM 450260-B21

1GB RAM 450259-B21

512MB RAM 450258-B21

Hard Disk Drive

HP SATA	HP SAS
750GB 7.2K SATA Disk 432341-B21	300GB 15K SAS Disk SP 431944-B21
500GB 7.2K SATA Disk 395473-B21	300GB 15K SAS Disk DP 416127-B21
250GB 7.2K SATA Disk 349239-B21	146GB 15K SAS Disk SP 375872-B21
160GB 7.2K SATA Disk 349238-B21	146GB 15K SAS Disk DP 375870-B21
80GB 7.2K SATA Disk 349237-B21	72GB 15K SAS Disk SP 384852-B21
	72GB 15K SAS Disk DP 384852-B21

Communication

HP NC110T PCI-E Gig 434905-B21

HP NC360T PCI-E Dual Gig 412648-B21

HP NC364T PCI-E Quad Gig 435508-B21

HP NC373F PCI-E Gig Multi 394793-B21

HP NC373T PCI-E Gig Multi 394795-B21

HP NC380T PCI-E Dual Gig Multi 394795-B21

HP NC510C PCI-E 10Gig 414129-B21

HP NC510F PCI-E 10Gig 414126-B21

Storage Controller

SCSI Card	RAID Card	FC Card
SC44Ge PCI-E Dual x4 SAS 416096-B21	SmartArray E200128 BBWC 411508-B21	SW FC2142SR 4Gb PCI-E A8002A
SC11X6 64/133 Single U320 412911-B21	SmartArray E500256 435129-B21	SW FC2142SR 4Gb Dual PCI-E A8003A
64/133 Single U320 374654-B21	SmartArray P400256 405132-B21	SW FC1142SR 4Gb PCI-E AE311A
	SmartArray P400256 405132-B21 + BBWC Upgrade 383280-B21	SW FC1242SR 4Gb Dual PCI-E AE312A
	SmartArray P400256 405132-B21 + 512MB BBWC 405148-B21	SW FC2143 4Gb PCI-X AD167A
	SmartArray P800512 BBWC 411944-B21	SW FC2243 4Gb Dual PCI-X AD168A
	SmartArray P800512 BBWC 381513-B21	SW FC1143 4Gb PCI-X AB429A
	8-Port Internal SAS RAID 347786-B21	SW FC1243 4Gb Dual PCI-X AE369A
	SmartArray 6402128 273915-B21	
	SmartArray 6404256 273914-B21	
	SmartArray 64264 291967-B21	
	SmartArray 64264 291967-B21 + 128MB BBWC 351580-B21	

ProLiant DL320G5p Server Models

Part Number	Description
445434-xx1	DL320G5p X2.66GHz/1333 QC-8MB Cache, 1P, 2GB
445432-xx1	DL320G5p X3.00GHz/1333 DC-6MB Cache, 1P, 1GB
445433-xx1	DL320G5p X2.13GHz/1066 DC-4MB Cache, 1P, 1GB

Country Code Key

-001	US
-291	Japan
-371	APD
-421	EURO
-AA1	PRC

Removable

DVD-ROM 9.5mm 450434-B21

CD-RW/DVD-R 9.5mm 451688-B21

DVD-ROM 12.7mm 449991-B21

DVD-RW 12.7mm 449996-B21

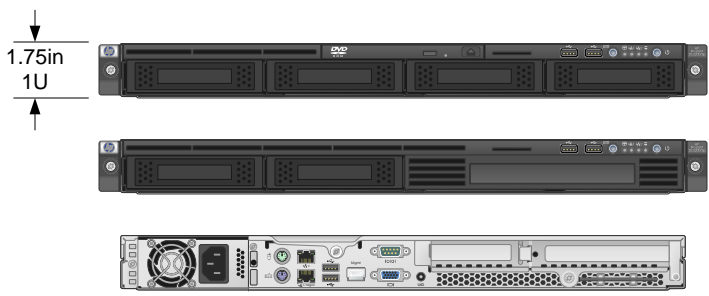
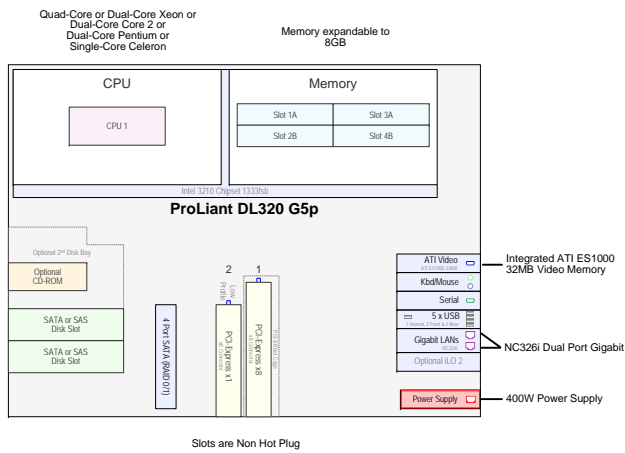
Optional PCI-X Non Hot-Plug Riser

PCI-X 133/64

Misc. Cards

HP IB 4X DDR PCI-E 448398-B21

iLO 2



This Visual Solution Document is deemed to be valid and accurate as of the date shown below.

The information contained herein is subject to change without notice and is provided "as is" without warranty of any kind. Please consult the Product QuickSpecs Documents on www.hp.com for any updates to the product information contained herein after the date shown below.

Build with the latest Logical shapes from the Visio Café - Download the latest HP Intel Stencils to get the shapes used above to create your own customized Visual Solution Documents - Feedback: info@visiocafe.com