

CPU 6-Core

Opteron 8439SE 6C 2.8GHz 105W 2P 539847-B21	Opteron 8439SE 6C 2.8GHz 105W 2P 539847-B21
Opteron 8435 6C 2.6GHz 75W 2P 572373-B21	Opteron 8435 6C 2.6GHz 75W 2P 572373-B21
Opteron 8431 6C 2.4GHz 75W 2P 539849-B21	Opteron 8431 6C 2.4GHz 75W 2P 539849-B21
Opteron 8429SE 6C 2.1GHz 55W 2P 539849-B21	Opteron 8429SE 6C 2.1GHz 55W 2P 539849-B21

Memory

PC2-5300
DDR2-667 w/ECC

64GB (4of)
2x8GB) DR
RAM
495605-B21
16GB (2x8GB) DR RAM
495605-B21

PC2-6400
DDR2-800 w/ECC

8GB (2x4GB) LP RAM
504351-B21
8GB (2x4GB) RAM
497767-B21
4GB (2x2GB) RAM
497766-B21
2GB (2x1GB) RAM
497763-B21

Hard Drive

HP SATA SFF	HP SAS SFF
15 300GB 30 15k SAS SFF MCL H0D 80738-B21	15 300GB 30 15k SAS SFF P2 MBL H0D 80738-B21
15 150GB 30 15k SAS SFF MCL H0D 80738-B21	15 150GB 30 15k SAS SFF P2 MBL H0D 80738-B21
15 75GB 30 15k SAS SFF MCL H0D 80738-B21	15 75GB 30 15k SAS SFF P2 MBL H0D 80738-B21
15 300GB 30 15k SAS SFF ETX H0D 46039-B21	15 300GB 30 15k SAS SFF P2 MBL H0D 46039-B21
15 150GB 30 15k SAS SFF ETX H0D 46039-B21	15 150GB 30 15k SAS SFF P2 MBL H0D 46039-B21
15 75GB 30 15k SAS SFF ETX H0D 46039-B21	15 75GB 30 15k SAS SFF P2 MBL H0D 46039-B21
15 150GB 30 15k SAS SFF MCL H0D 80738-B21	15 150GB 30 15k SAS SFF P2 MBL H0D 80738-B21
15 75GB 30 15k SAS SFF MCL H0D 80738-B21	15 75GB 30 15k SAS SFF P2 MBL H0D 80738-B21
15 300GB 30 15k SAS SFF MCL H0D 80738-B21	15 300GB 30 15k SAS SFF P2 MBL H0D 80738-B21
15 150GB 30 15k SAS SFF MCL H0D 80738-B21	15 150GB 30 15k SAS SFF P2 MBL H0D 80738-B21
15 75GB 30 15k SAS SFF MCL H0D 80738-B21	15 75GB 30 15k SAS SFF P2 MBL H0D 80738-B21

HP SATA SFF SSD

15 100GB 30 15k SAS SFF MCL H0D 80738-B21	15 100GB 30 15k SAS SFF P2 MBL H0D 80738-B21
15 50GB 30 15k SAS SFF MCL H0D 80738-B21	15 50GB 30 15k SAS SFF P2 MBL H0D 80738-B21
15 25GB 30 15k SAS SFF MCL H0D 80738-B21	15 25GB 30 15k SAS SFF P2 MBL H0D 80738-B21

Storage Controller

RAID Card	FC Card
SmartArray P212/ZM 462628-B21	SW 81B 8Gb Single Port PCIe AP7765A
SmartArray P212/256 462834-B21	SW 82B 8Gb Dual Port PCIe AP7770A
SmartArray P410/256 462862-B21	SW 41B 4Gb Single Port PCIe AP7767A
SmartArray P410/256 462862-B21 + 1GB FBWC 534916-B21	SW 42B 4Gb Dual Port PCIe AP7769A
SmartArray P410/256 462862-B21 + 512MB FBWC 534916-B21	SW 81E 8Gb PCIe AJ762A
SmartArray P410/512 FBWC 578230-B21	SW 82E 8Gb Dual Port PCIe AJ763A
SmartArray P410/1G FBWC 578230-B21	SW FC2242SR 4Gb PCIe A8002A A8003A
SmartArray P411/256 462830-B21	SW 81Q 8Gb PCIe-AK344A
SmartArray P411/512 BBWC 462832-B21	SW 82Q 8Gb Dual Port PCIe AJ764A
SmartArray P411/256 462830-B21 + 512MB FBWC 534916-B21	SW FC1142SR 4Gb PCIe-AE311A
SmartArray P411/256 462830-B21 + 1GB FBWC 534916-B21	SW FC1242SR 4Gb Dual Port PCIe-AE312A
SmartArray P411/512 FBWC 578229-B21	SW CN1000E Dual Port PCIe AHS20A
SmartArray P411/1G FBWC 578231-B21	
SmartArray P800/512 BBWC 381513-B21	SC11Xe 64/133 Single U320 412911-B21
SmartArray P812/1G FBWC 487204-B21	SW U320e SCSI HBA AH627A

SCSI Card

SC11Xe 64/133 Single U320 412911-B21
SW U320e SCSI HBA AH627A

ProLiant DL585 G6 Server Models

Part Number	Description
539842-xx1	DL585G6 O2.8SE/4800 6C-6MB Cache, 4P, 16GB (8x2GB), P410/512/BBWC, DVD/CD-RW, 2PS
577143-xx1	DL585G6ICE O2.8SE/4800 6C-6MB Cache, 4P, 16GB (8x2GB), P410/512/BBWC, DVD/CD-RW, 2PS
539843-xx1	DL585G6 O2.4/4800 6C-6MB Cache, 4P, 16GB (8x2GB), P410/512/BBWC, DVD/CD-RW, 2PS

Country Code Key

-001	US
-201	Brazil
-291	Japan
-371	APD
-421	EURO
-AA1	PRC

Redundancy

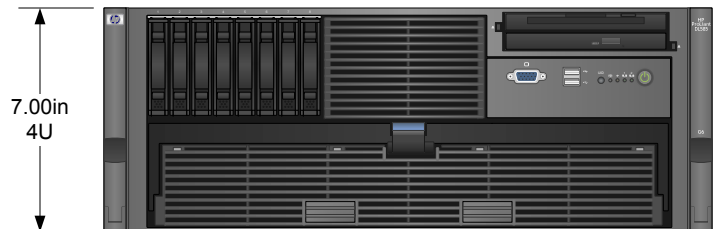
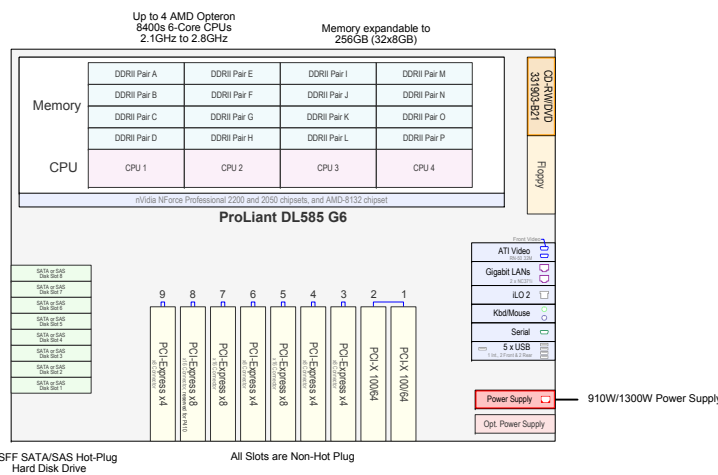
PS (w/w) EC	388114-B21
-------------	------------

Removable

CD-RW/DVD	331903-B21
DVD±RW	383975-B21
DVD-ROM 264007-B21	

Communication

HP NC112T PCI-E Gig 503746-B21	HP NC375T PCI-E Quad Gig 538696-B21
HP NC360T PCI-E Dual Gig 412545-B21	HP NC382T PCI-E Dual Gig Multi 459452-B21
HP NC364T PCI-E Quad Gig 435919-B21	HP NC522SFP PCI-E Dual 10GbE 468332-B21
HP NC373P PCI-E Gig Multi 394793-B21	HP NC550SFP PCI-E Dual 10GbE 581201-B21
HP NC373T PCI-E Gig Multi 394791-B21	



This Visual Solution Document is deemed to be valid and accurate as of the date shown below.

The information contained herein is subject to change without notice and is provided "as is" without warranty of any kind. Please consult the Product QuickSpecs Documents on www.hp.com for any updates to the product information contained herein after the date shown below.

Built with the latest Logical shapes from the Visio Café - Download the latest HP Intel Stencils to get the shapes used above to create your own customized Visual Solution Documents - Feedback: info@visiocafe.com