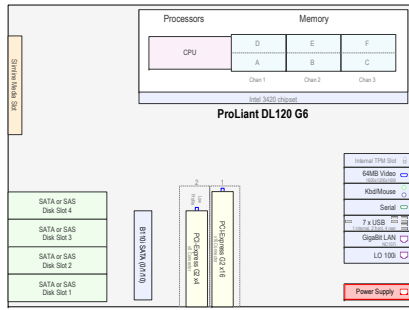


DL120 G6



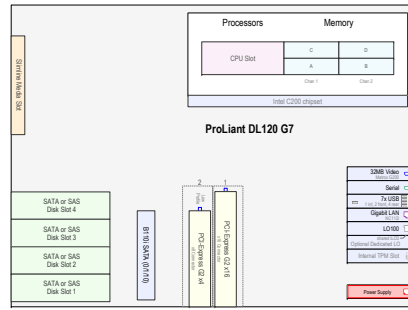
Quad-Core or Dual-Core Xeon or Dual-Core Xeon/Pentium/Celeron 2.26GHz to 3.06GHz

Memory expandable to 16GB w/ RDIMM to 16Gb w/ UDIMM

Up to 4 SATA/SAS HDD

400W PFC Power Supply

DL120 G7



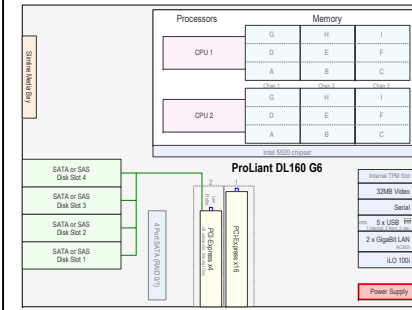
Quad-Core Xeon or Dual-Core Xeon/Pentium 2.20GHz to 3.50GHz

Memory expandable to 16GB w/ UDIMM

Up to 4 Hot Plug SATA/SAS HDD

400W PFC Power Supply

DL160 G6 Hot Plug



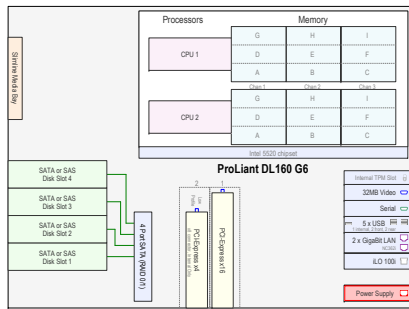
Up to 2 6-Core, Quad-Core or Dual-Core Xeon CPUs 1.60GHz to 3.60GHz

Memory expandable to 28GB w/ RDIMM to 48GB w/ UDIMM

Up to 4 Hot Plug LFF SATA/SAS Storage Drives

500W HE Power Supply

DL160 G6 Non-Hot Plug



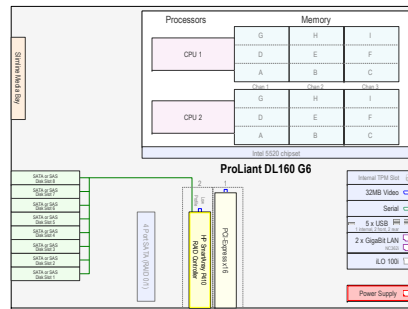
Up to 2 6-Core, Quad-Core or Dual-Core Xeon CPUs 1.60GHz to 3.60GHz

Memory expandable to 28GB w/ RDIMM to 48GB w/ UDIMM

Up to 4 Non-Hot Plug LFF SATA Storage Drives

500W HE Power Supply

DL160 G6 SFF Hot Plug



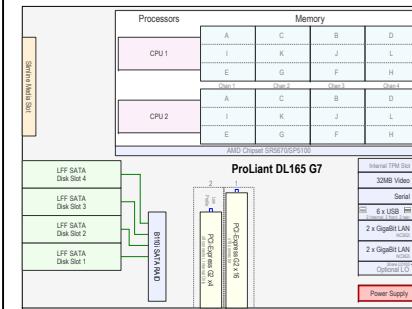
Up to 2 6-Core, Quad-Core or Dual-Core Xeon CPUs 1.60GHz to 3.60GHz

Memory expandable to 28GB w/ RDIMM to 48GB w/ UDIMM

Up to 8 Hot Plug SFF SATA/SAS Storage Drives

500W HE Power Supply

DL165 G7 SATA w/ B110i



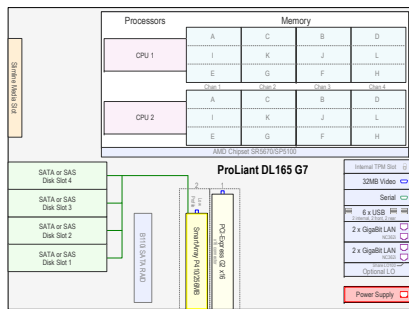
Up to 2 8-Core/12-Core AMD Opteron 6000s CPUs 1.7GHz to 2.6GHz

Memory expandable to 256GB w/ RDIMM to 64GB w/ UDIMM

Up to 4 Non-Hot Plug/Cold Plug LFF SATA Drives

500W HE Power Supply

DL165 G7 SAS/SATA Hot Plug



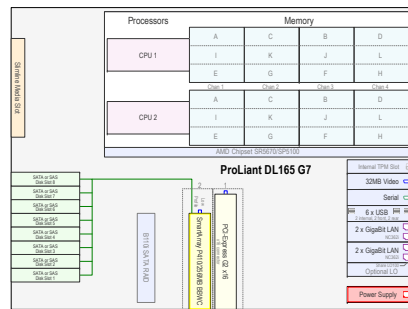
Up to 2 8-Core/12-Core AMD Opteron 6000s CPUs 1.7GHz to 2.6GHz

Memory expandable to 256GB w/ RDIMM to 64GB w/ UDIMM

Up to 4 Hot Plug LFF SATA/SAS Drives

500W HE PFC Power Supply

DL165 G7 SFF SAS Hot Plug



Up to 2 8-Core/12-Core AMD Opteron 6000s CPUs 1.7GHz to 2.6GHz

Memory expandable to 256GB w/ RDIMM to 64GB w/ UDIMM

Up to 4 Hot Plug SFF SAS Drives

500W HE PFC Power Supply

Note: HS = Hot Swap
HP = Hot Plug
NHP = Non-Hot Plug

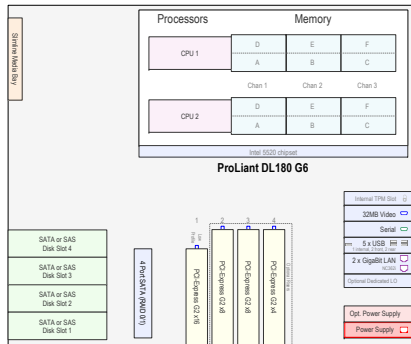
This Visual Solution Document is deemed to be valid and accurate as of the date shown below.

The information contained herein is subject to change without notice and is provided "as is" without warranty of any kind. Please consult the Product QuickSpecs Documents on www.hp.com for any updates to the product information contained herein after the date shown below.



Build with the latest Logical shapes from the Visio Café - Download the latest HP Intel Stencils to get the shapes used above to create your own customized Visual Solution Documents - Feedback: info@visiocafe.com

DL180 G6 4-LFF



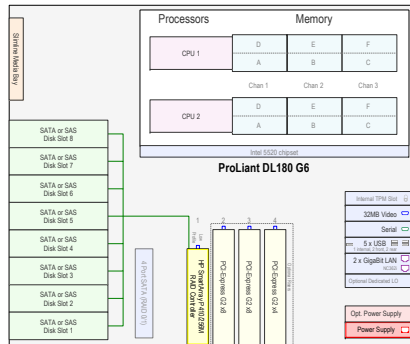
Up to 2 6-Core, Quad-Core or Dual-Core Xeon CPUs 1.60GHz to 3.20GHz

Memory expandable to 192GB w/ RDIMM to 48GB w/ UDIMM

Up to 4 Hot Plug SATA/SAS Storage Drives

460W CS HE Power Supply

DL180 G6 8-LFF



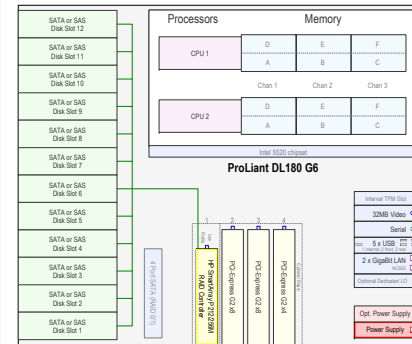
Up to 2 6-Core, Quad-Core or Dual-Core Xeon CPUs 1.60GHz to 3.20GHz

Memory expandable to 192GB w/ RDIMM to 48GB w/ UDIMM

Up to 8 Hot Plug SATA/SAS Storage Drives

460W CS HE Power Supply

DL180 G6 12-LFF



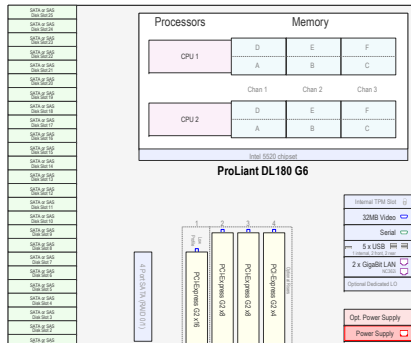
Up to 2 6-Core, Quad-Core or Dual-Core Xeon CPUs 1.60GHz to 3.20GHz

Memory expandable to 192GB w/ RDIMM to 48GB w/ UDIMM

Up to 14 Hot Plug SATA/SAS HDD w/ 2 Rear Drive Option Kit 48R234-B21

750W CS HE Power Supply

DL180 G6 25-SFF



Up to 2 6-Core, Quad-Core or Dual-Core Xeon CPUs 1.60GHz to 3.20GHz

Memory expandable to 192GB w/ RDIMM to 48GB w/ UDIMM

Up to 25 Hot Plug SATA/SAS Storage Drives

750W CS HE Power Supply

Note: HS = Hot Swap
HP = Hot Plug
NHP = Non-Hot Plug

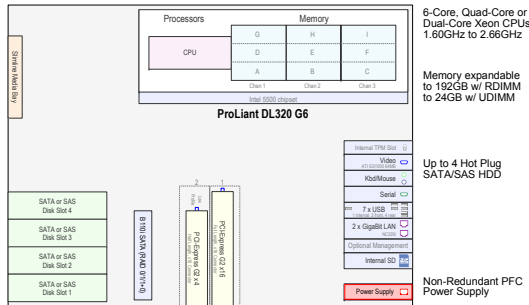
This Visual Solution Document is deemed to be valid and accurate as of the date shown below.



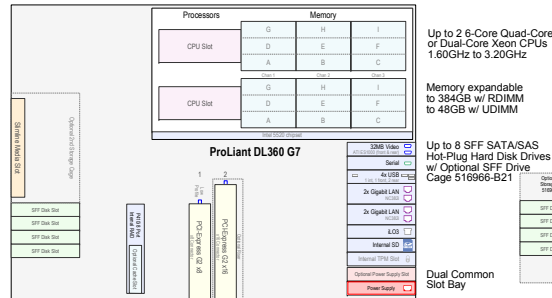
The information contained herein is subject to change without notice and is provided "as is" without warranty of any kind. Please consult the Product QuickSpecs Documents on www.hp.com for any updates to the product information contained herein after the date shown below.

Build with the latest Logical shapes from the Visio Café - Download the latest HP Intel Stencils to get the shapes used above to create your own customized Visual Solution Documents - Feedback: info@visiocafe.com

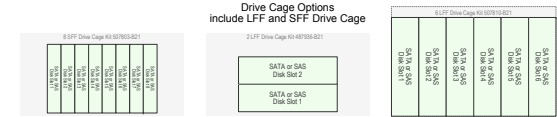
DL320G6



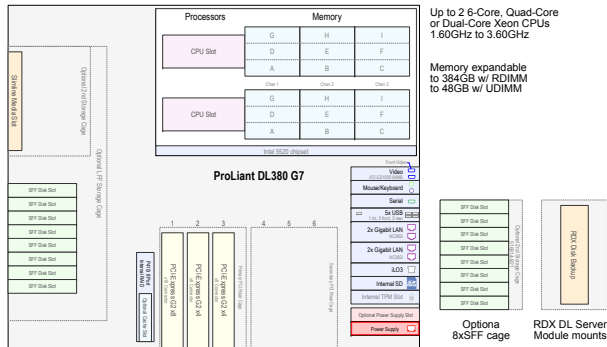
DL360 G7



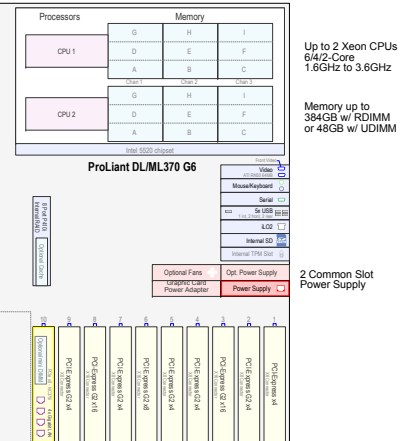
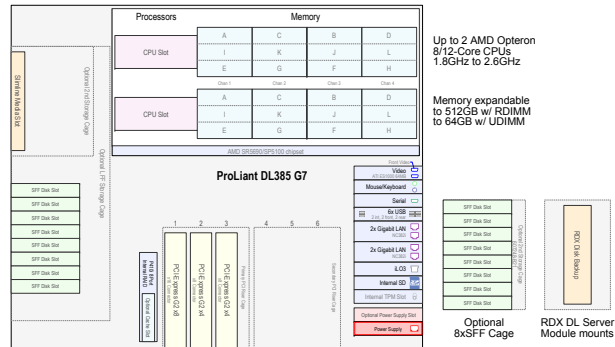
DL370 G6



DL380 G7



DL385 G7



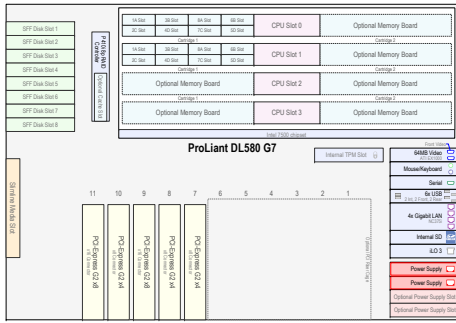
Note: HS = Hot Swap
 HP = Hot Plug
 NHP = Non-Hot Plug

This Visual Solution Document is deemed to be valid and accurate as of the date shown below.
 The information contained herein is subject to change without notice and is provided "as is" without warranty of any kind. Please consult the Product QuickSpecs Documents on www.hp.com for any updates to the product information contained herein after the date shown below.



Built with the latest Logical shapes from the Visio Café - Download the latest HP Intel Stencils to get the shapes used above to create your own customized Visual Solution Documents - Feedback: info@visiocafe.com

DL580 G7



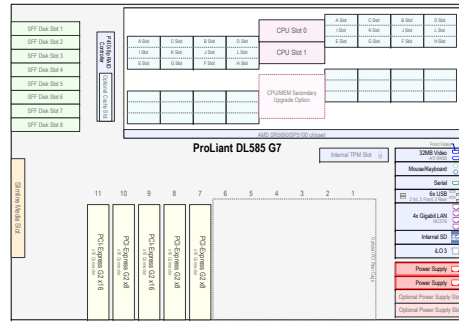
Up to 4 Xeon 10/8/6/4-Core CPUs
1.86GHz to 2.67GHz

Memory expandable to 2TB w/ Memory Cartridge

8 x SFF SATA/SAS Hot-Plug Hard Drives

1200W Power Supply

DL585 G7

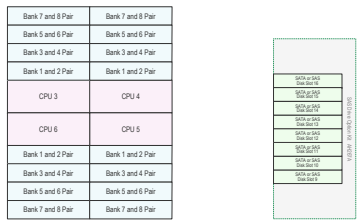


Up to 4 AMD Opteron 12-Core/8-Core CPUs
1.7GHz to 2.6GHz

Memory expandable to 512GB w/CPU/MEM Upgrade Option 590489-B21

8 x SFF SATA/SAS Hot-Plug Hard Drive

DL785G6

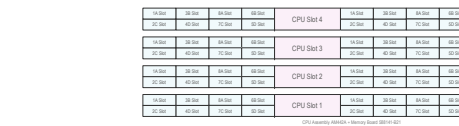


Up to 8 AMD Six-Core Opteron 2.1GHz to 2.8GHz

Memory expandable to 512GB

Additional 8 x SFF SAS Hot-Plug Hard Disk Drives w/ SAS Option Kit AH267A

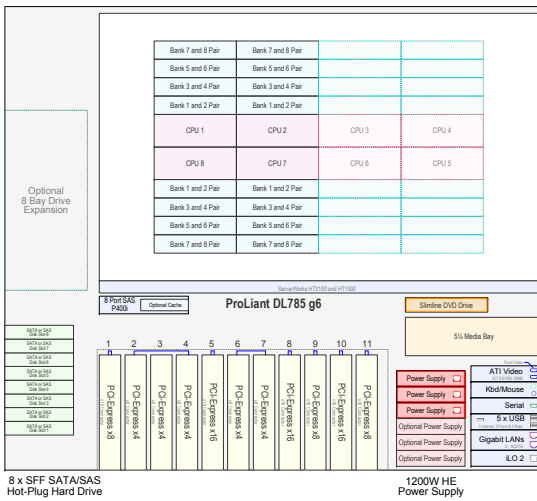
DL980G7



8 x SFF SAS Hot-Plug HDD

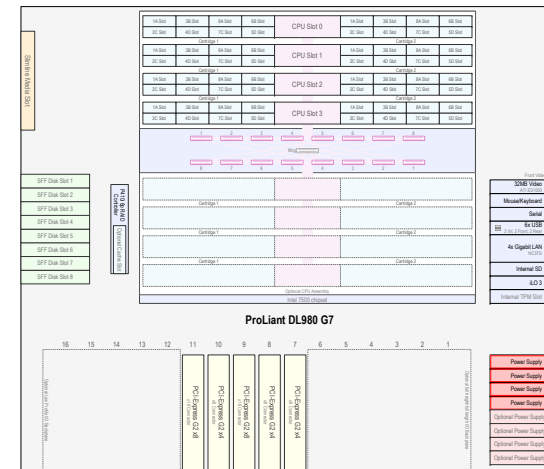
Up to 4 Xeon 8-Core or 6-Core or 4-Core CPUs 1.86GHz to 2.40GHz

Memory expandable to 2TB w/ CPU Assembly



8 x SFF SATA/SAS Hot-Plug Hard Drive

1200W HE Power Supply



Note: HS = Hot Swap
HP = Hot Plug
NHP = Non-Hot Plug

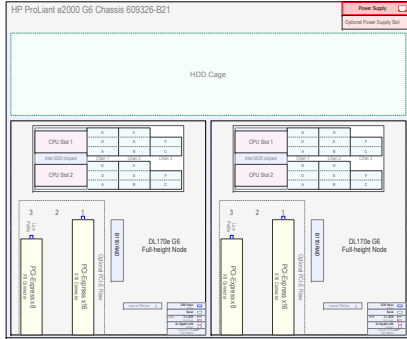
This Visual Solution Document is deemed to be valid and accurate as of the date shown below.



The information contained herein is subject to change without notice and is provided "as is" without warranty of any kind. Please consult the Product QuickSpecs Documents on www.hp.com for any updates to the product information contained herein after the date shown below.

Build with the latest Logical shapes from the Visio Café - Download the latest HP Intel Stencils to get the shapes used above to create your own customized Visual Solution Documents - Feedback: info@visiocafe.com

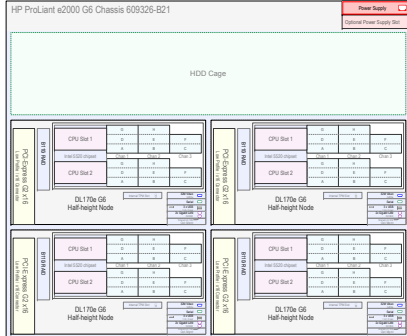
DL2000 2-Node



For each node: Up to 2 Intel Xeon Six-Core or Quad-Core CPUs
1.60GHz to 3.06GHz

Memory expandable up to
- 192GB w/ RDIMM
- 48GB w/ UDIMM

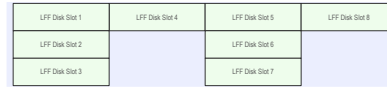
DL2000 4-Node



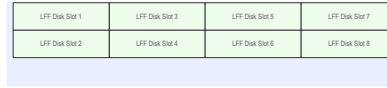
For each node: Up to 2 Intel Xeon Six-Core or Quad-Core CPUs
1.60GHz to 3.06GHz

Memory expandable up to
- 192GB w/ RDIMM
- 48GB w/ UDIMM

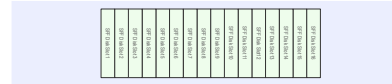
DL2000 Multi Node Server Storage Drive Cage



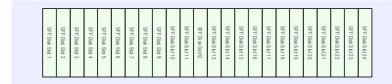
Up to 8 Hot-Plug SAS/SATA LFF Drives
w/ 8 LFF HDD Cage(2 node configuration)



Up to 8 Hot-Plug SAS/SATA LFF Drives
w/ 8 LFF HDD Cage(4 node configuration)



Up to 16 Hot-Plug SAS/SATA SFF Drives
w/ 16 SFF HDD Cage



Up to 24 Hot-Plug SAS/SATA SFF Drives
w/ 24 SFF HDD Cage

Note: HS = Hot Swap
HP = Hot Plug
NHP = Non-Hot Plug

This Visual Solution Document is deemed to be valid and accurate as of the date shown below.

The information contained herein is subject to change without notice and is provided "as is" without warranty of any kind. Please consult the Product QuickSpecs Documents on www.hp.com for any updates to the product information contained herein after the date shown below.



Built with the latest Logical shapes from the Visio Café - Download the latest HP Intel Stencils to get the shapes used above to create your own customized Visual Solution Documents - Feedback: info@visiocafe.com