

## ProLiant DL160 Gen8 Server - Pre-configured Models

### Entry Model

662082-xx1

DL160Gen8 Xeon E5-2603 (1.8/6.4GT/4C/10MB) 1P, 4GB RDIMM, 4 LFF, B210i, 500W Platinum PS

### Base Model

662083-xx1

DL160Gen8 Xeon E5-2620 (2.0/7.2GT/6C/15MB) 1P, 8GB RDIMM, 4 LFF, B210i, 500W Platinum PS

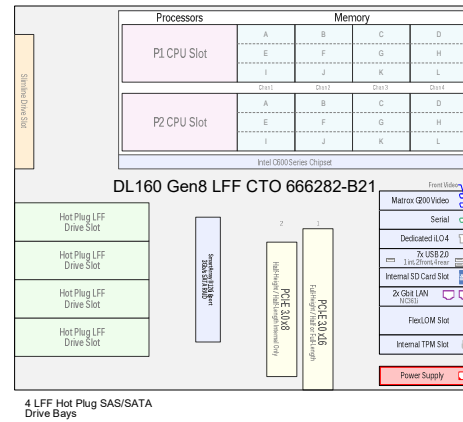
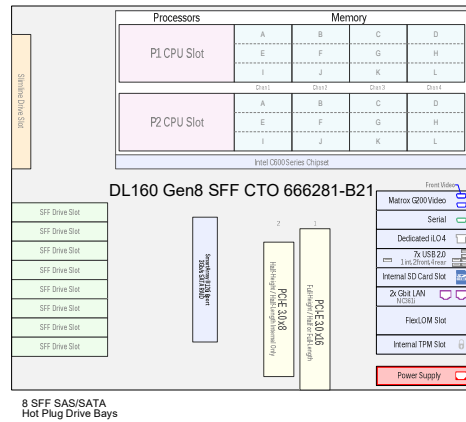
### Energy Star - Performance Model

662084-xx1

DL160Gen8 Xeon E5-2640 (2.5/7.2GT/6C/15MB) 2P, 16GB RDIMM, 8 SFF, P420/1G/FBWC, 500W Platinum PS

### Country Code Key

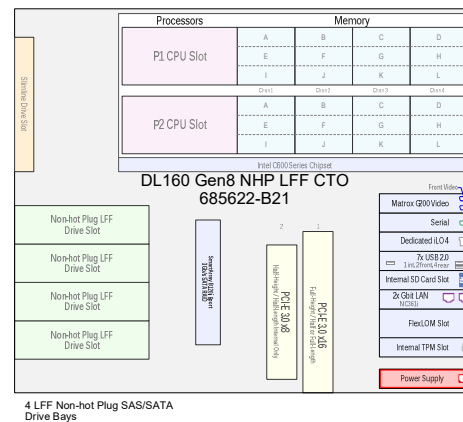
-001	US
-291	Japan
-371	APD
-421	EURO
-AA1	PRC



Up to 2 Xeon E5-2600 Series CPUs 1.80GHz to 2.9GHz

Memory expandable to 384GB w/ RDIMM to 768GB w/LRDIMM to 128GB w/ UDIMM

500W Platinum FIO Power Supply



This Visual Solution Document is deemed to be valid and accurate as of the date shown below.



The information contained herein is subject to change without notice and is provided "as is" without warranty of any kind. Please consult the Product QuickSpecs Documents on [www.hp.com](http://www.hp.com) for any updates to the product information contained herein after the date shown below.

invent

Built with the latest Logical shapes from the Visio Café - Download the latest HP Intel Stencils to get the shapes used above to create your own customized Visual Solution Documents - Feedback: [info@visiocafe.com](mailto:info@visiocafe.com)

