

ProLiant DL160 Gen9 Server - Pre-configured Models

Entry Model

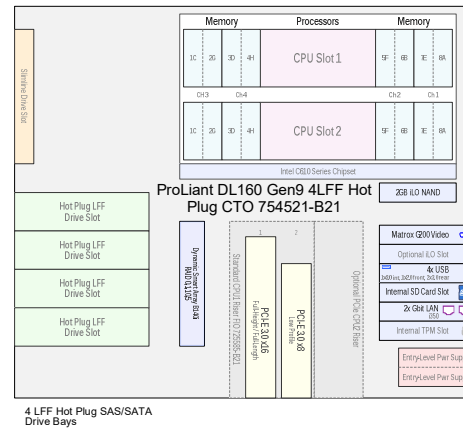
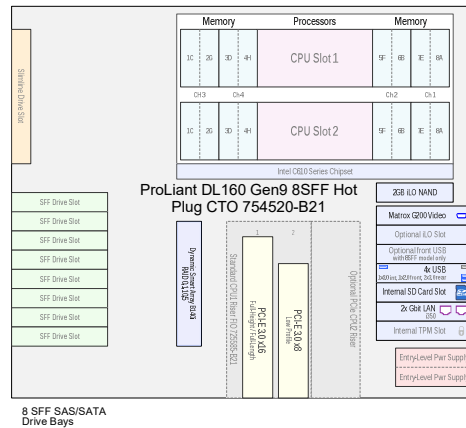
769503-B21
DL160Gen9 Xeon E5-2603v3 (1.60GHz/6c/15MB/85W) 1P,
8GB-R, 4LFF, B140i, 550W PS
769504-B21
DL160Gen9 Xeon E5-2609v3 (1.9GHz/6c/15MB/85W) 1P,
8GB-R, 8SFF, H240, 550W PS

Base Model

769505-B21
DL160Gen9 Xeon E5-2609v3 (1.9GHz/6c/15MB/85W) 1P,
16GB-R, 8SFF, H240, 550W PS
769506-B21
DL160Gen9 Xeon E5-2630v3 (2.4GHz/8c/20MB/85W) 2P,
32GB-R, 8SFF, P440/4G, 800W RPS

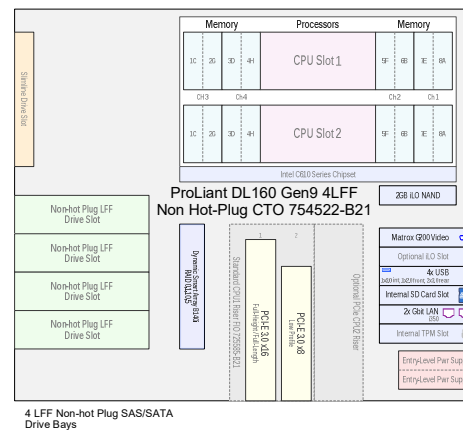
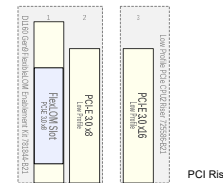
Country Code Key

-B21 WorldWide
-291 Japan
-AA1 PRC



Up to 2 Xeon E5-2600v3 Series CPUs 1.6GHz to 2.6GHz

Memory expandable to 296GB w/ RDIMM to 512GB w/LRDIMM



This Visual Solution Document is deemed to be valid and accurate as of the date shown below.



The information contained herein is subject to change without notice and is provided "as is" without warranty of any kind. Please consult the Product QuickSpecs Documents on www.hp.com for any updates to the product information contained herein after the date shown below.

Built with the latest Logical shapes from the Visio Café - Download the latest HP Intel Stencils to get the shapes used above to create your own customized Visual Solution Documents - Feedback: info@visiocafe.com

