

ProLiant DL320e Gen8 Server - Pre-configured Models

Base Models

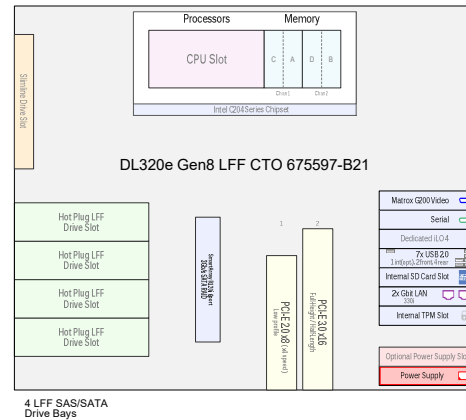
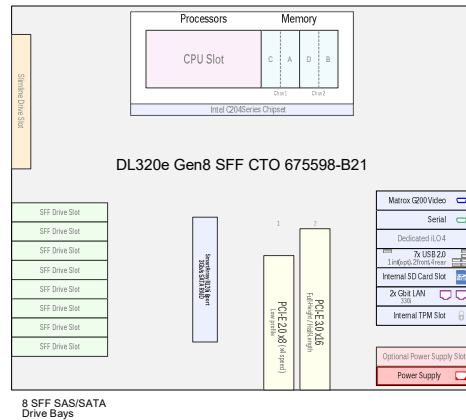
675421-xx1
DL320eGen8 Xeon E3-1220v2 (3.1GHz/4c/8MB/69W) 1P,
4GB-U, 4LFF, B120i, 350W PS

Performance Models

675422-xx1
DL320eGen8 Xeon E3-1240v2 (3.4GHz/4c/8MB/69W) 1P,
8GB-U, 4LFF, P222/512/FBWC, 350W PS

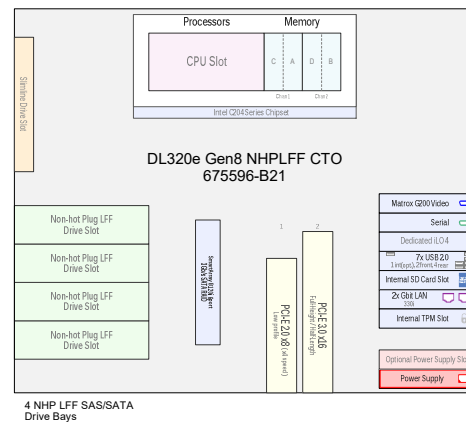
Country Code Key

-001	US
-201	Brazil
-291	Japan
-371	APD
-421	EURO
-AA1	PRC



Quad-Core or Dual-Core
Xeon/Pentium CPU up
2.3GHz to 3.7GHz

Memory expandable
to 32GB w/ UDIMM



This Visual Solution Document is deemed to be valid and accurate as of the date shown below.



The information contained herein is subject to change without notice and is provided "as is" without warranty of any kind. Please consult the Product QuickSpecs Documents on www.hp.com for any updates to the product information contained herein after the date shown below.

Built with the latest Logical shapes from the Visio Café - Download the latest HP Intel Stencils to get the shapes used above to create your own customized Visual Solution Documents - Feedback: info@visiocafe.com

