

ProLiant ML110 Gen9 Server - Pre-configured Models

Entry Models

777160-xx1

ML110Gen9 Xeon E5-2603v3 (1.6GHz/6c/15MB/85W) 1P,
4GB-R, 4LFF NHP, B140i, 350W PS

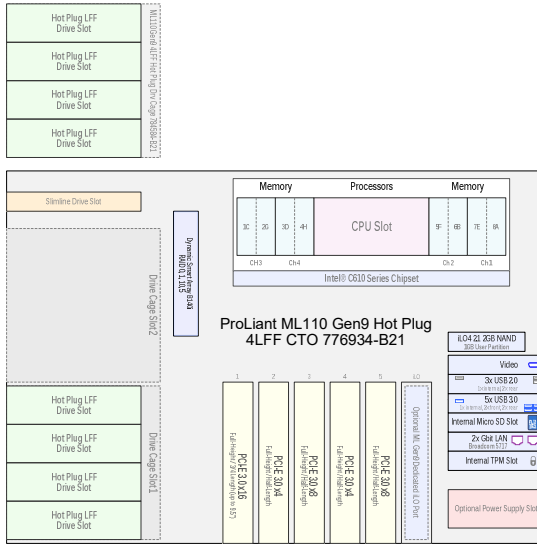
Base Models

777161-xx1

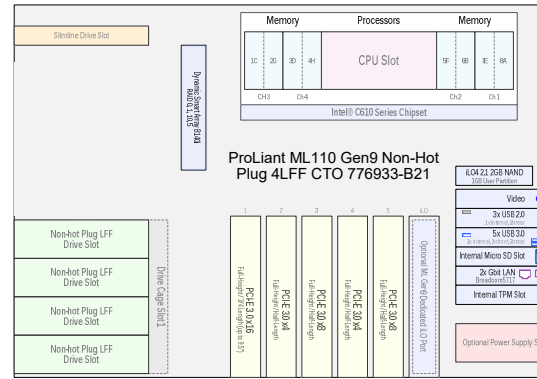
ML110Gen9 Xeon E5-2620v3 (2.4GHz/6c/15MB/85W) 1P,
8GB-R, 4SFF, B140i, 550W PS

Country Code Key

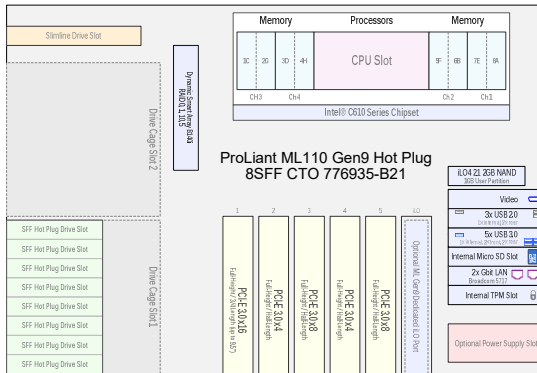
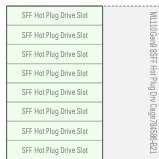
-B21	Worldwide	-001	US
-031	UK	-291	Japan
-371	AP	-421	Euro
-AA1	PRC		



Hot Plug hard drives,
up to 6 LFF HDD/SSD



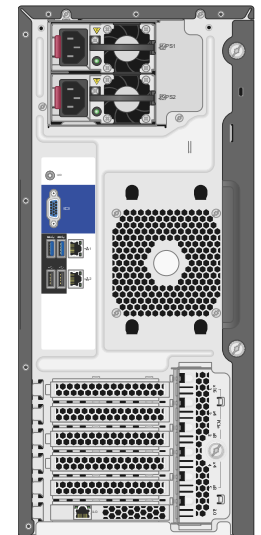
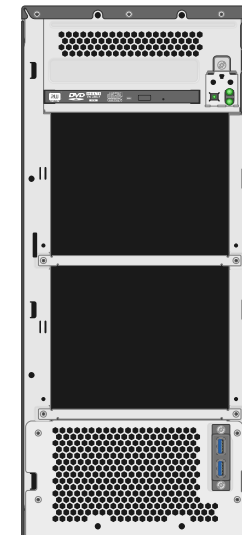
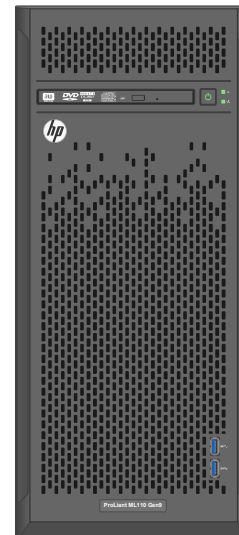
Non-hot Plug hard drives,
up to 6 LFF HDD/SSD



Hot Plug hard drives,
up to 16 SFF HDD/SSD

Up to 2 Xeon E5-1600 v3/
E5-2600 v3 Series CPUs
1.6GHz to 3.5GHz

Memory expandable
to 128GB w/ LRDIMM
to 256GB w/ RDIMM



This Visual Solution Document is deemed to be valid and accurate as of the date shown below.



The information contained herein is subject to change without notice and is provided "as is" without warranty of any kind. Please consult the Product QuickSpecs Documents on www.hp.com for any updates to the product information contained herein after the date shown below.

Built with the latest Logical shapes from the Visio Café - Download the latest HP Intel Stencils to get the shapes used above to create your own customized Visual Solution Documents - Feedback: info@visiocafe.com

